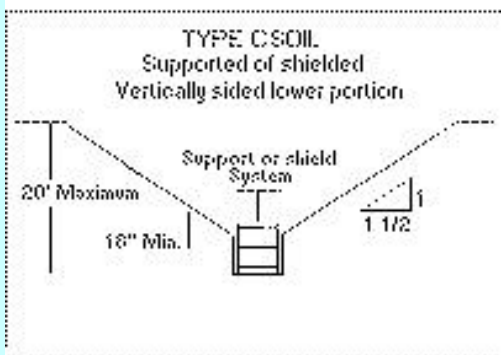
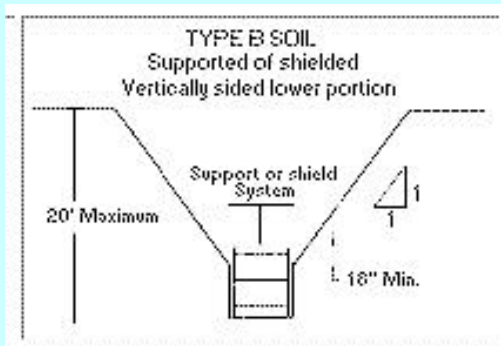
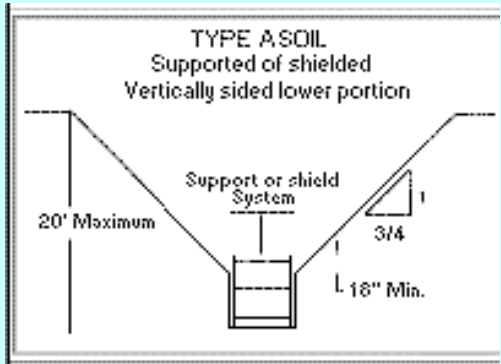


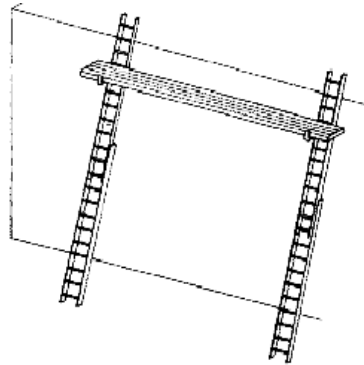
Slope and Shield Configurations for Type A, B and C soils



1926.652 Appendix B contains specifications for sloping and benching when used as methods of protecting employees working in excavations from cave-ins.

Ladder Jack Scaffolds – What you need to know.

Ladder jack scaffolding is a supported scaffold consisting of a platform resting on brackets attached to ladders.



Specific requirements for ladder jack scaffolds are listed in 1926.452(k)

We are finding a lot of ladder jack scaffolds being used that don't meet the OSHA requirements. The following is a "quiz" you can take to check your knowledge of the OSHA requirements. The answers are located at the end of this article.

- (1) Platforms on ladder jack scaffolds can not exceed a height of:
 - (a) 5 feet
 - (b) they can be any height you want them to be
 - (c) 20 feet
- (2) Job-made ladders can be used to support ladder jack scaffolds:
 - (a) yes
 - (b) no
- (3) Ladders used to support ladder jacks shall be placed, fastened, or equipped with devices to prevent:
 - (a) the ladder from cracking
 - (b) OSHA from inspecting you
 - (c) Slipping
- (4) Each employee working on a ladder jack scaffold more than 10' above a lower level must be protected by a personal fall arrest system:
 - (a) yes
 - (b) no
- (5) Workers can use the support ladders to access the platform.
 - (a) yes
 - (b) no
- (6) Each platform has to be at least:
 - (a) 18 inches wide
 - (b) 2 feet wide
 - (c) 12 inches wide

Answers: (1) c - .452(k)(1) (2) b - .452(k)(2) (3) c - .452(k)(4)(b)(15) (4) a - .451(g)(1)(I) (5) b - .451(e)(1) – when the platform is positioned on the "climb" side (6) c - .451(b)(2)(I)